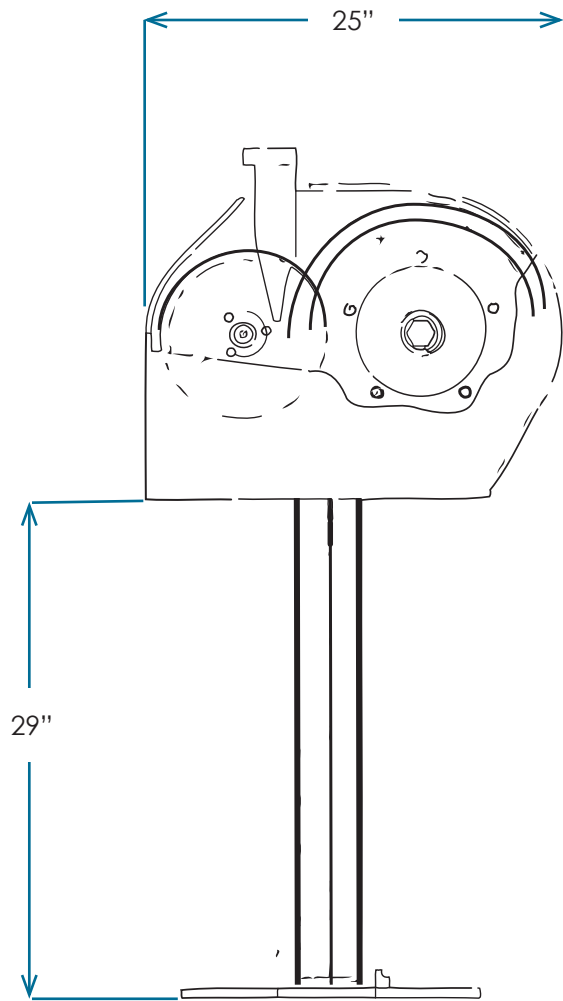
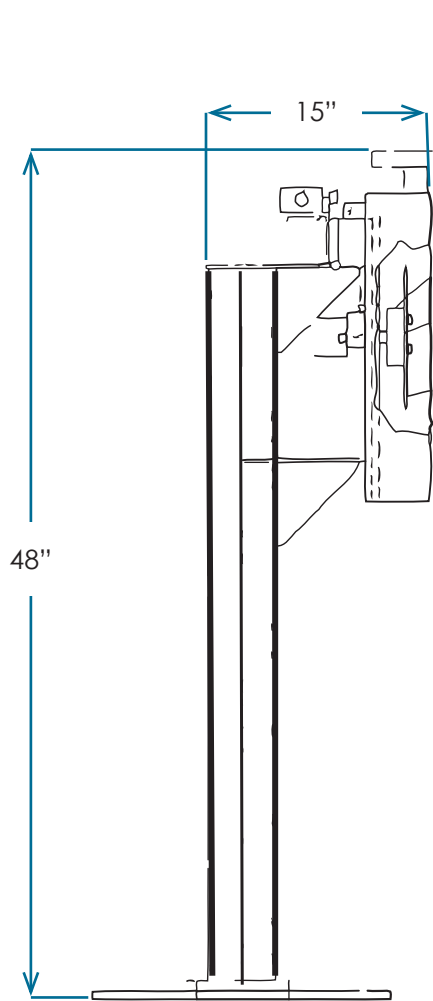


## LBS520 BAIT SPLITTER



### **Splits larger, less expensive bait to size for Autobaiting machines.**

- Dual drive motors - one for high speed blade, one for feed sheave.
- Heat treated stainless steel precision blade.
- Heavy duty galvanized steel housing and stand.
- Easy operation - hydraulic motors and valve for control, reversing and cleaning is already installed.



**Weight: 440 lbs**

## **Smith Berger Marine, Inc.**

7915 10<sup>th</sup> Ave. S., Seattle, WA 98108 USA

Tel. 206.764.4650 - Toll Free 888.726.1688 - Fax 206.764.4653

E-mail: [sales@smithberger.com](mailto:sales@smithberger.com) - Web: [www.smithberger.com](http://www.smithberger.com)