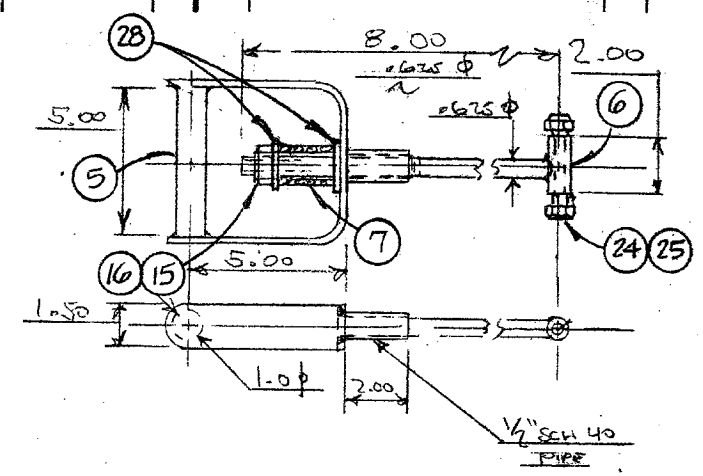
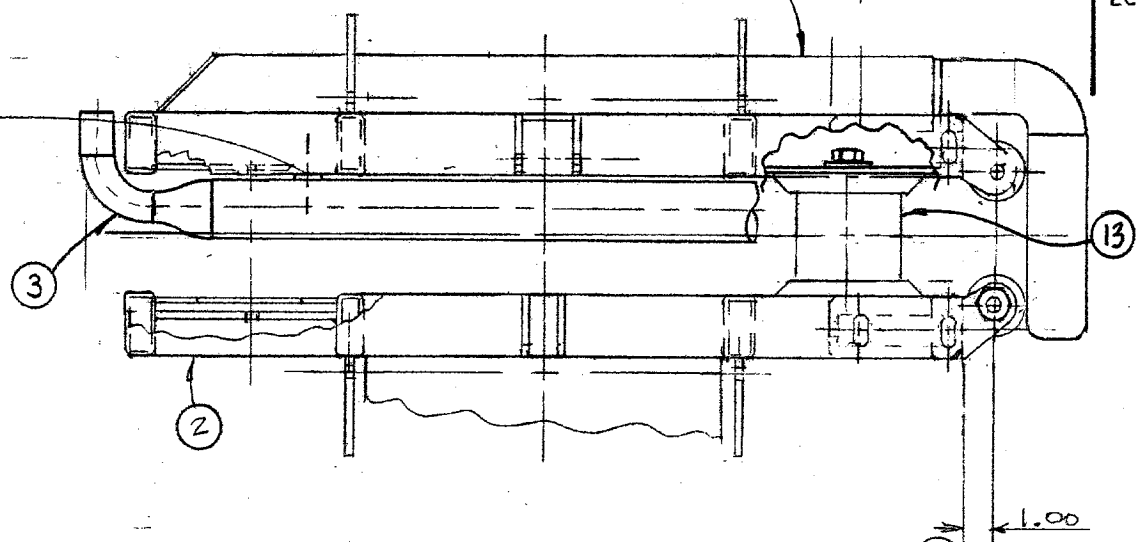


NOTE: THIS DRAWING IS THE PROPERTY OF MARCO SEATTLE AND MUST BE RETURNED. IT IS NOT TO BE COPIED OR DUPLICATED IN ANY MANNER, AND SHALL NOT BE SUBMITTED TO OUTSIDE PARTIES WITHOUT OUR WRITTEN CONSENT.

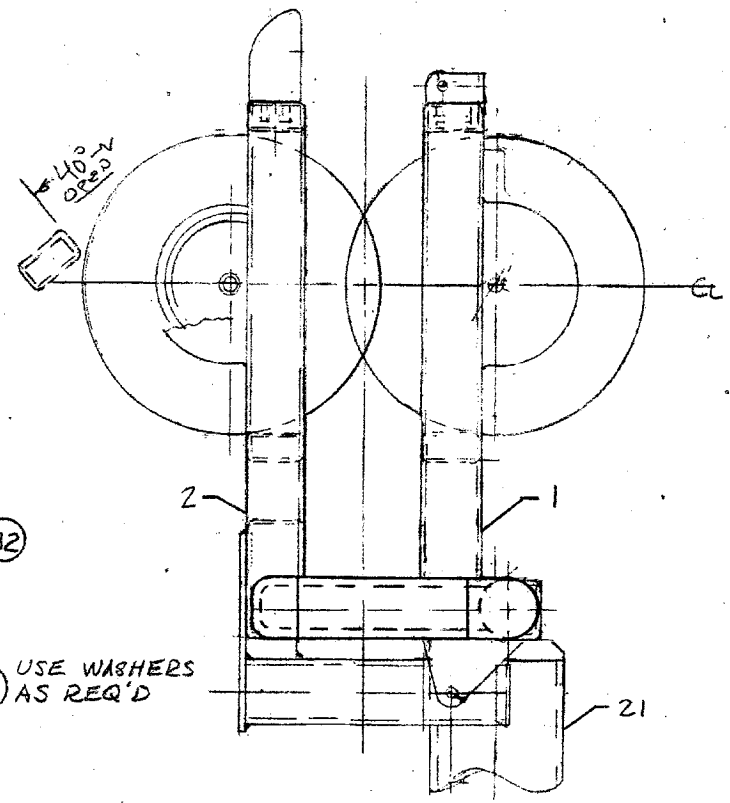
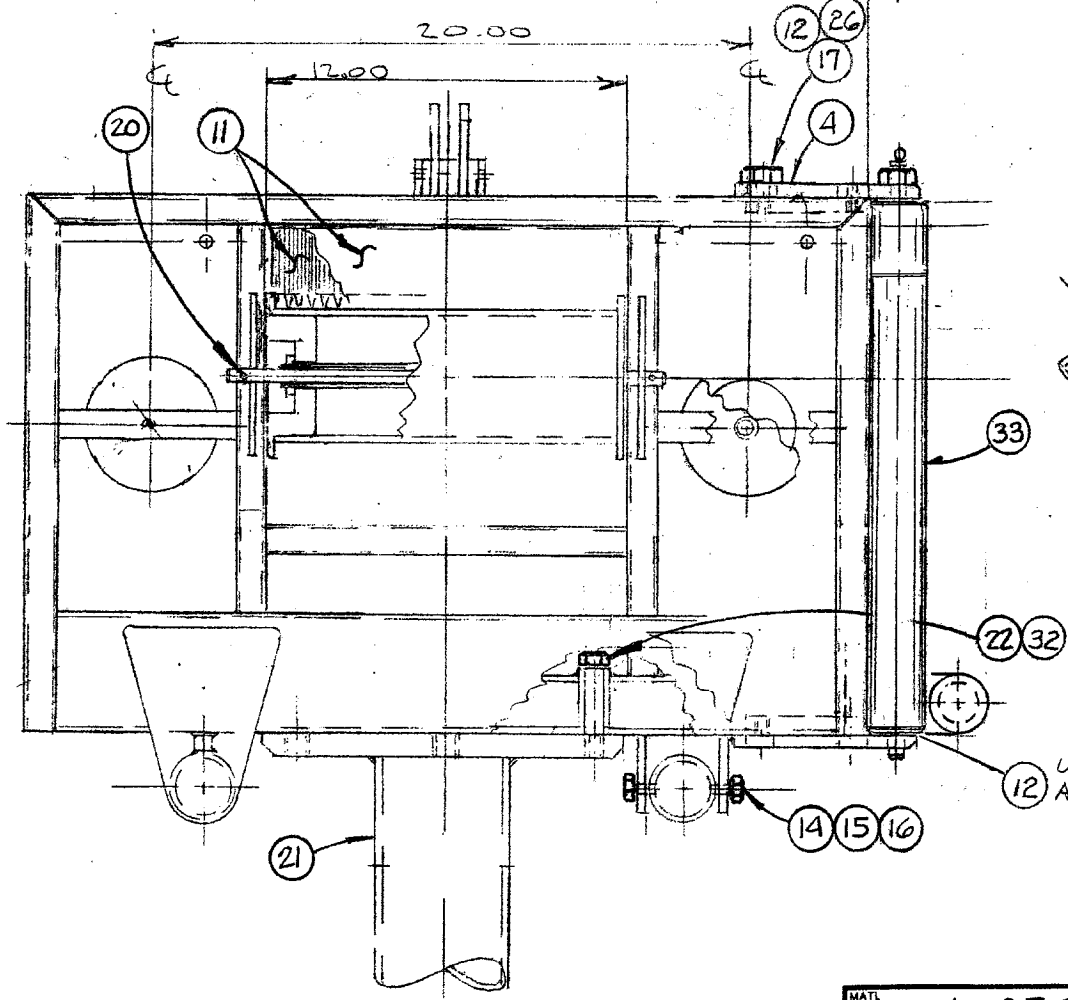
MODEL	MATL LIST	PC	BY	DATE
LCS-551		B	DELTD PC 12, 19, 23; ADDED PC 5 26, 27, 28	GLA 6/17/79
		C	ADDED PC 12, 30, 31, 32	cy 8-31-79
		D	ADD PC 33, RHY PC 8, 9, 10, 18, 27	RAS 6-15-80

D

INSTALL PC 3, MANIFOLD ON STATIONARY SIDE



C



B