

J0125 KINGHAULER POT LINE HAULER



Proven performance

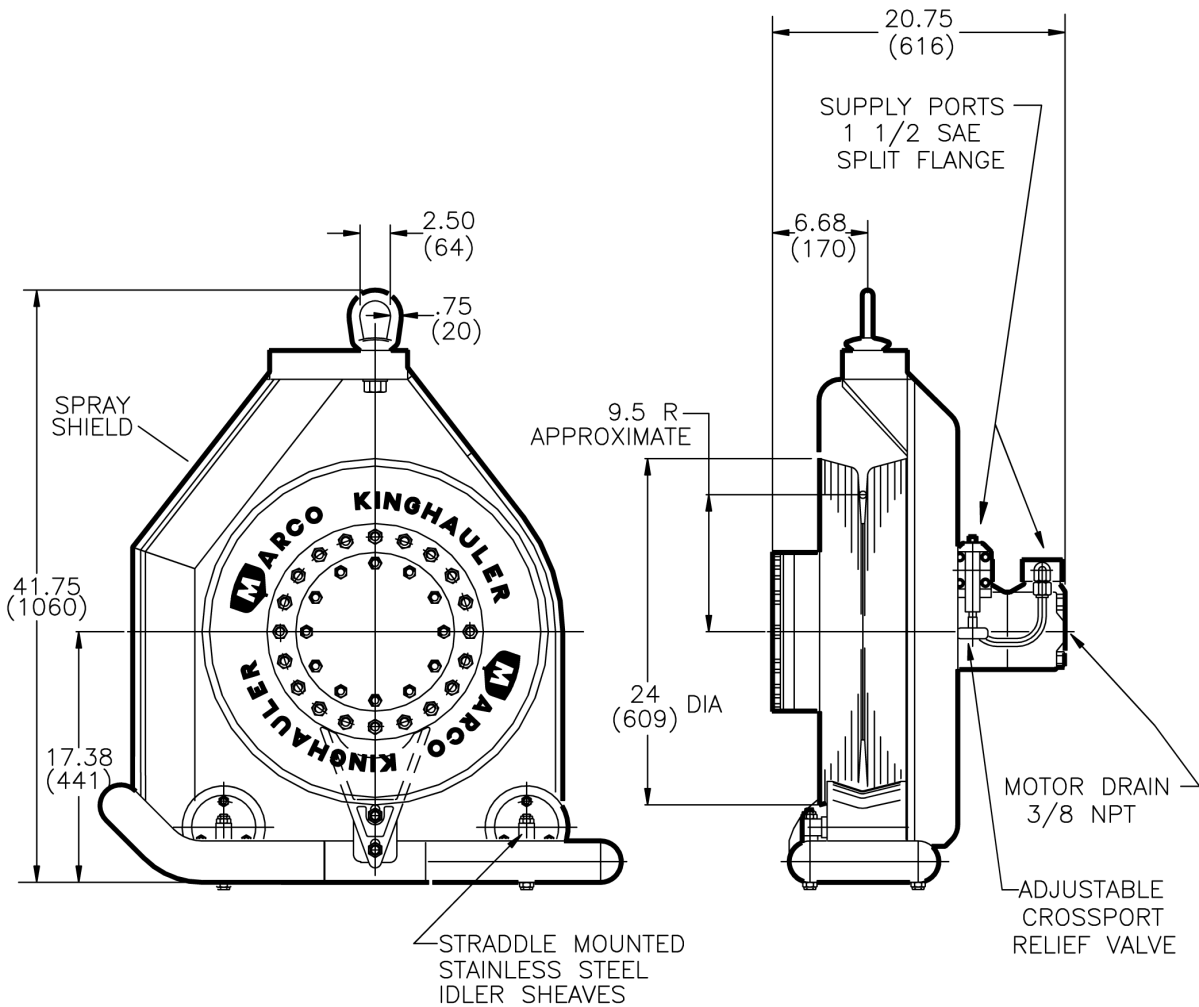
- 24" Stainless Steel or Manganese Bronze sheaves are adjustable with shims for use with 5/8" to 1-1/4" size line.
- Galvanized fabricated steel frame for increased strength and long service life.
- Low maintenance, sealed, oil lubricated Planetary Gear Drive.
- Stainless steel idler sheaves with sealed lubricated ball bearings.
- Galvanized fabricated steel fairlead.
- Adjustable cross port relief valve is a standard option on the block.
- Up to 5,000 pounds of line pull.

Smith Berger Marine, Inc.

7915 10th Ave. S., Seattle, WA 98108 USA

Tel. 206.764.4650 - Toll Free 888.726.1688 - Fax 206.764.4653

E-mail: sales@smithberger.com - Web: www.smithberger.com



Specifications are based on hydraulic flow of 60 GPM at 2000 PSI

| Motor | Torque | RPM | Pull | Velocity | Pull | Velocity |
|--------|--------|------|------|-------------------|------|-------------------|
| 35M80 | 1510 | 2550 | 2580 | 700 | 3440 | 528 |
| 35M95 | 1830 | 2100 | 3130 | 580 | 4170 | 435 |
| 35M115 | 2260 | 1720 | 3860 | 475 | 5150 | 356 |
| | | | | 18:1 Gear Reducer | | 24:1 Gear Reducer |

Maximum Recommended Line Size is 1 1/4" diameter. Sheaves are adjustable with shims to accommodate line sizes from 5/8" to 1 1/4"

| | | |
|---------------|----------------|-------------------------------------|
| Construction: | Frame: | Galvanized Steel |
| | Sheaves: | Stainless Steel or Manganese Bronze |
| | Idler Sheaves: | Stainless with Ball Bearings |
| | Splitter | Stainless Steel |
| Weight: | 820 Lbs. | |

Smith Berger Marine, Inc.

7915 10th Ave. S., Seattle, WA 98108 USA

Tel. 206.764.4650 - Toll Free 888.726.1688 - Fax 206.764.4653

E-mail: sales@smithberger.com - Web: www.smithberger.com