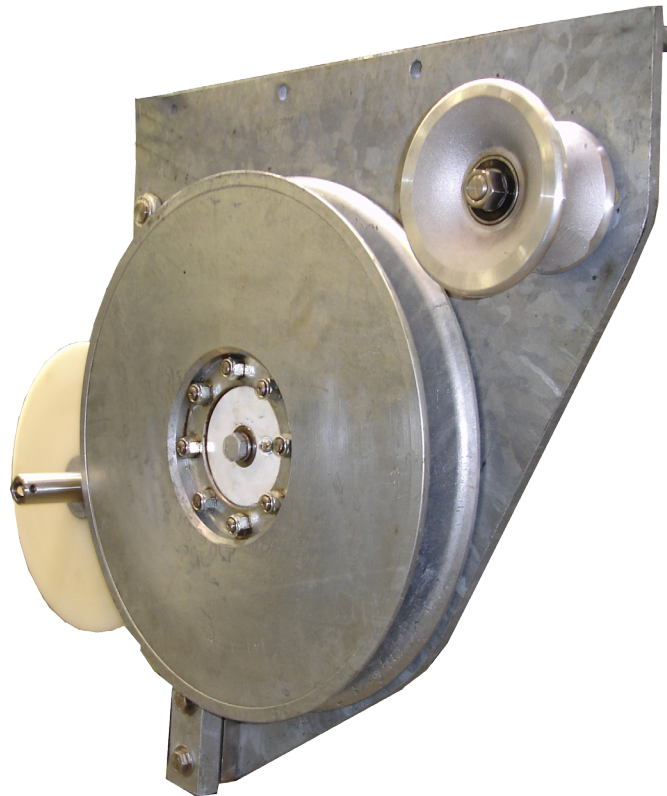
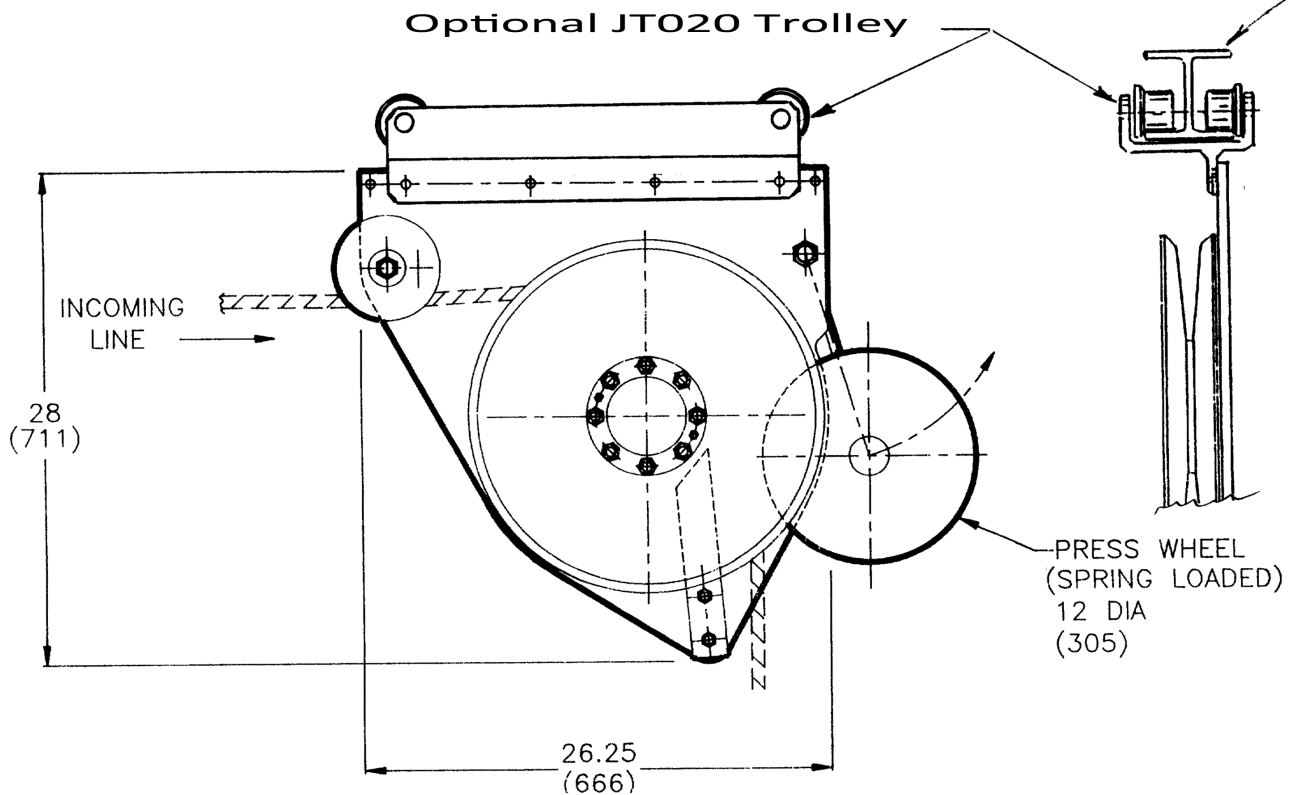
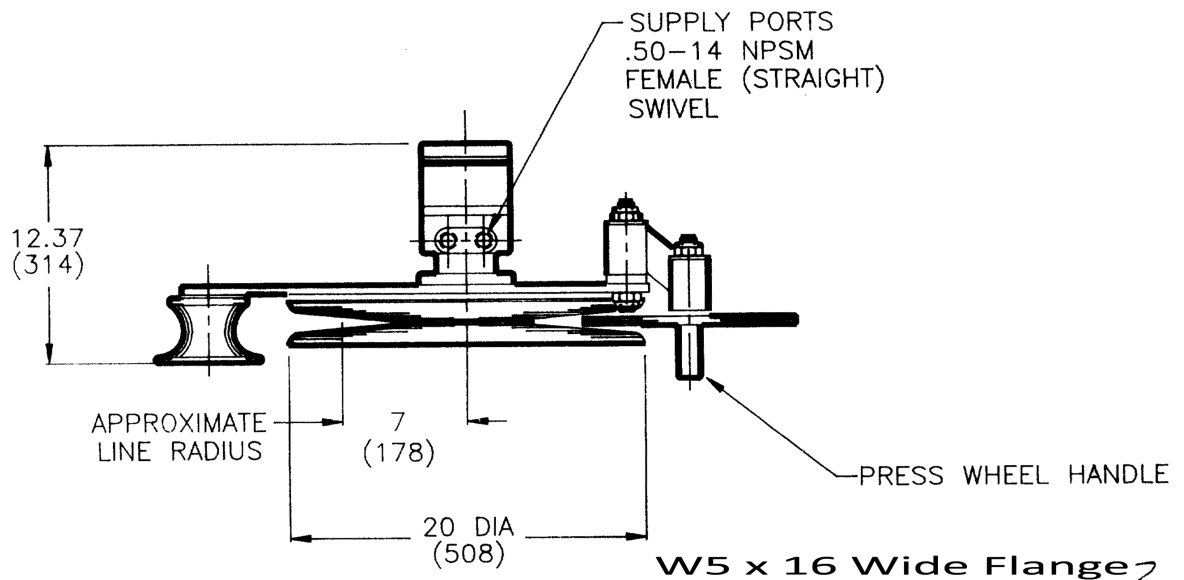




J2020 LINE BIN COILER



Performance:	90 Lbs pull at 500 Feet per minute, based on 7 GPM at 400 PSI
Maximum Oil Supply:	20 GPM at 1000 PSI
Construction:	Frame Galvanized Steel
	Sheaves: Galvanized Steel
	Idler Sheaves: Aluminum
	Press Wheel: Nylon
Line Size:	5/8" to 1 1/2" diameter
Weight:	285 LBS



Smith Berger Marine, Inc.

7915 10th Ave. S., Seattle, WA 98108 USA

Tel. 206.764.4650 - Toll Free 888.726.1688 - Fax 206.764.4653

E-mail: sales@smithberger.com - Web: www.smithberger.com